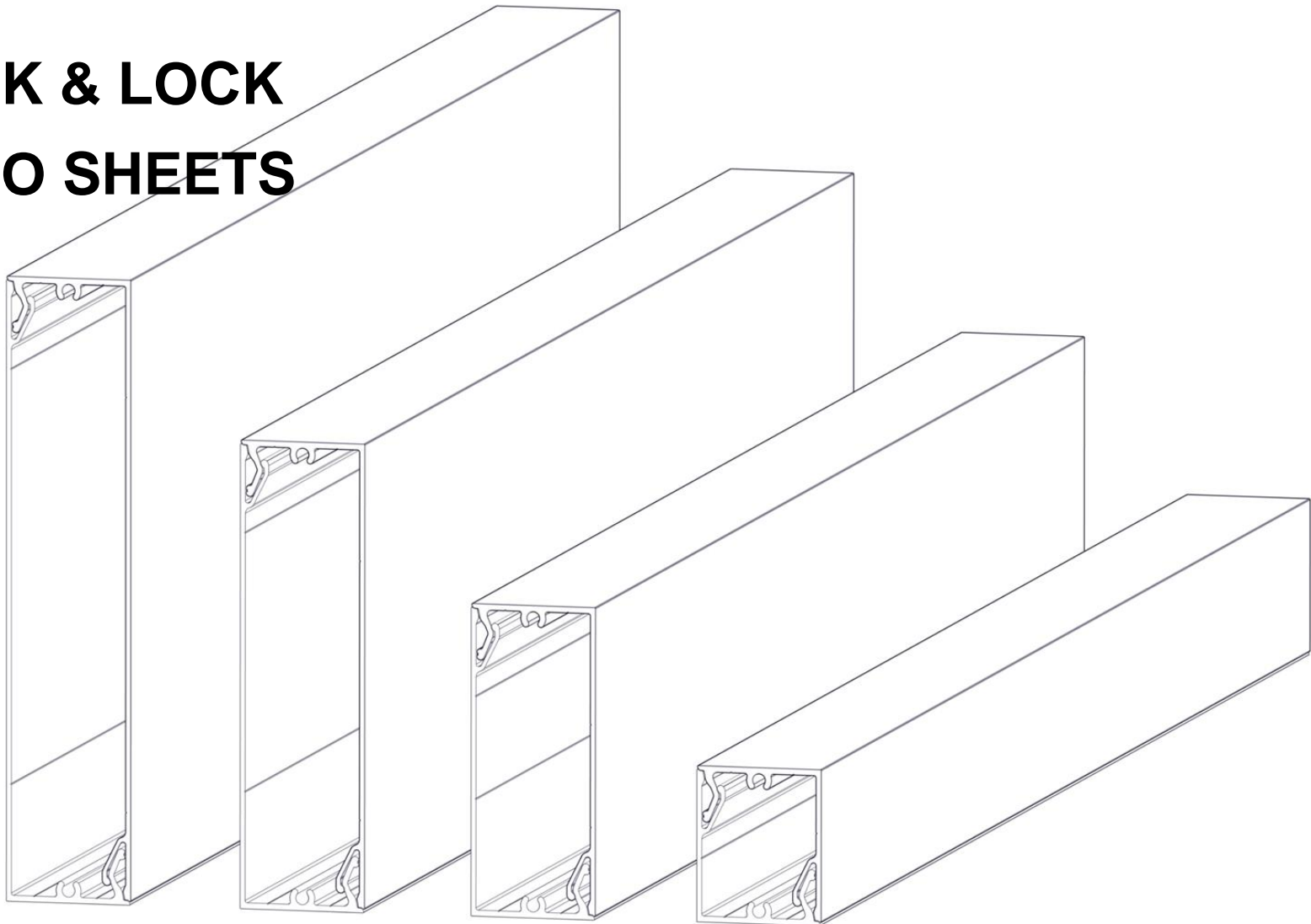


**LINK & LOCK  
INFO SHEETS**



# L&L DIMENSIONAL

Finishes:  
Woodgrains, Solid, Specialty  
Custom Solid Color Matching - (Additional lead times apply)



## Actual Sizes & Weights

L&L	Width	Depth	Length	Weight(lbs/ft) *per set
2"	2" (50.8mm)	1 5/8" (41.3mm)	24'	0.93
4"	4" (101.6mm)	1 5/8" (41.3mm)	24'	1.3
6"	6" (152.4mm)	1 5/8" (41.3mm)	24'	1.6
8"	8" (203mm)	1 5/8" (41.3mm)	24'	1.9

### Key Features:

- Aesthetic look of dimensional lumber
- Ease of install (mount & snap 2 Ls together and end cap)
- Can be installed in batten, fin or end to end orientation
- Easy to clean and no staining needed

### Physical data:

- 6063-T5 Extruded Aluminum
- 100% recyclable
- Warranty on Finish: 15 year (standard)/20 year\* (ultra) (\*10week lead time); Aluminum: 50 year

### BIM & CAD:

- RVT & DWG files available, see website for details

# L&L Installation Components

[See L&L Install Guide for details](#)

## Mounting Clip:

- Injection Molded PA6 33% Glass with embedded SS washer
- Used on Batten and Fin orientation to secure the back "L" to the substrate
- Included in order with L&L



## #12 Fastener (By others):

- Zinc-plated or Stainless Steel
- Used for attaching the back "L" to the substrate
- Use the correct fastener for the required project substrate
- Supplied by others



## 1/2" Pilot Point Drill Bit:

- 1/2" Pilot Point Drill Bit
- Used for Drilling out the holes for mounting the L&L to the substrate
- See Install Guide for drilling details



## Paint Pen:

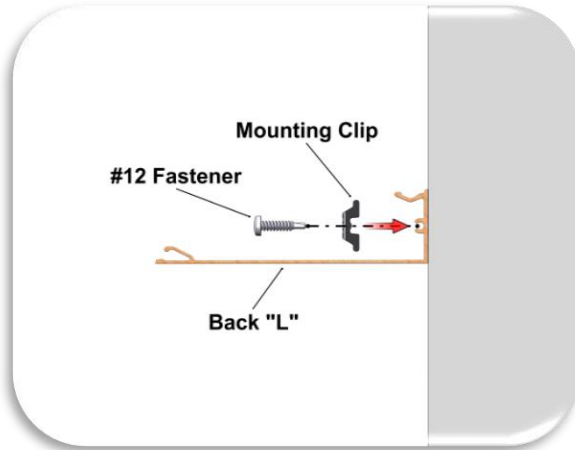
- Color choices available
- Used for touch ups at the ends before installing End Caps



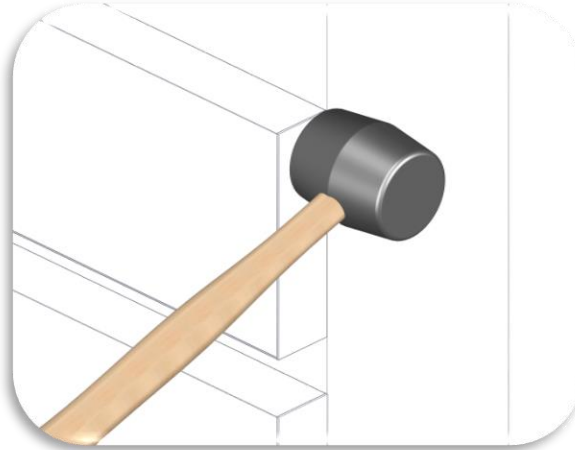
# L&L Install Images

[See L&L Install Guide for details](#)

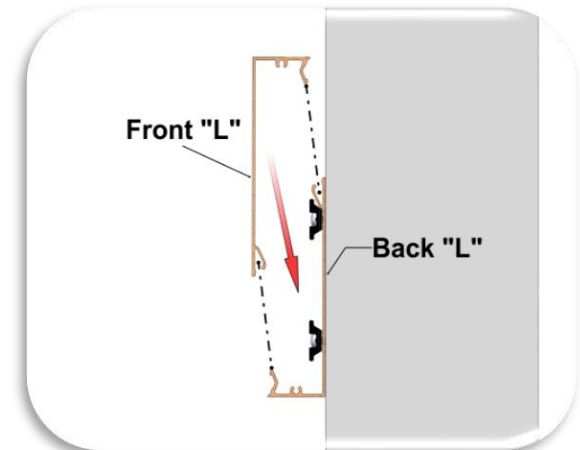
### Mounting Clip (Fin orientation)



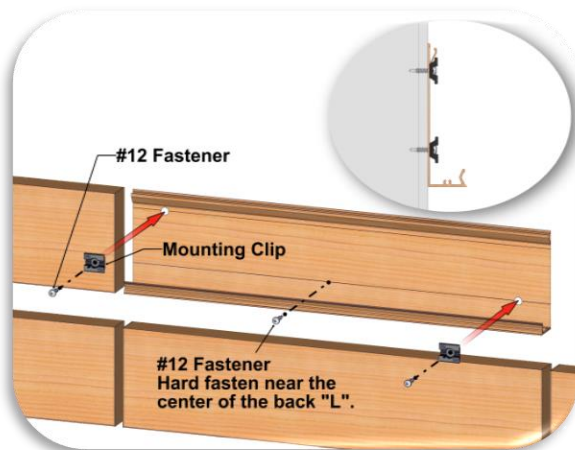
### End Cap



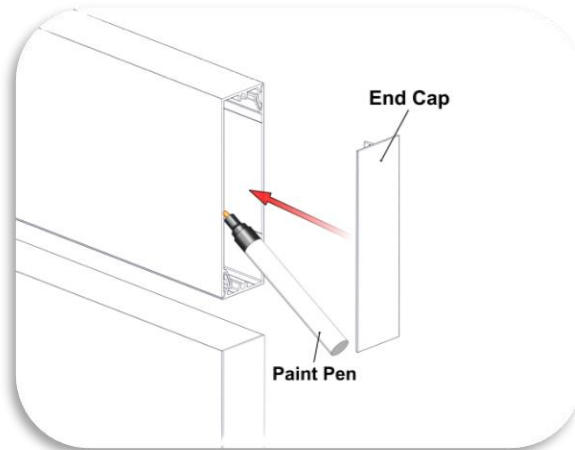
### Front "L" Install



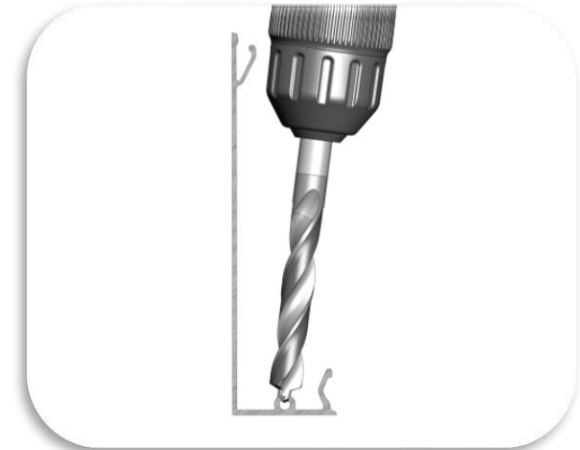
### Mounting Clip (Batten orientation)



### Paint Pen (for cut edges)



### Drilling (Fin orientation)



# L&L Testing Data and Allowable Spans

**LONGBOARD®**  
ARCHITECTURAL PRODUCTS

4" LINK & LOCK		PSF (Factored / Ultimate)					
		20	30	40	50	60	70
ALLOWABLE SPAN (ft)	6'	█					
	8'	█					
	**12'	█					

All testing has been performed using L/180 deflection limits  
 \*\*Using Longboard Link & Lock Internal Stiffener

**LONGBOARD®**  
ARCHITECTURAL PRODUCTS

6" LINK & LOCK		PSF (Factored / Ultimate)					
		20	30	40	50	60	70
ALLOWABLE SPAN (ft)	6'	█					
	8'	█					
	**12'	█					

All testing has been performed using L/180 deflection limits  
 \*\*Using Longboard Link & Lock Internal Stiffener

**LONGBOARD®**  
ARCHITECTURAL PRODUCTS


8" LINK & LOCK		PSF (Factored / Ultimate)					
		20	30	40	50	60	70
ALLOWABLE SPAN (ft)	6'	█					
	**12'	█					


All testing has been performed using L/180 deflection limits  
 \*\*Using Longboard Link & Lock Internal Stiffener

Testing:  
 ICC-ES Evaluation Report - Division: 05 00 00 – METALS  
 • Section: 05 50 00 - Metal Fabrications

LARR - Los Angeles Department of Building Safety (LADBS) accepts ICC-ES reports as proof of compliance

International Building Code (IBC). International Residential Code (IRC)  
 California Building Code (CBC), California Residential Code (CRC)  
 City of Los Angeles Building Code (LABC)  
 City of Los Angeles Residential Code (LARC)  
 Florida Building Code – Building, Florida Building Code - Residential

 Fire Rating: Class A Non-Combustible by ASTM E136 & ASTM E84

 Light Reflectance: 5% (Black) up to 73.2% (Ultra White)